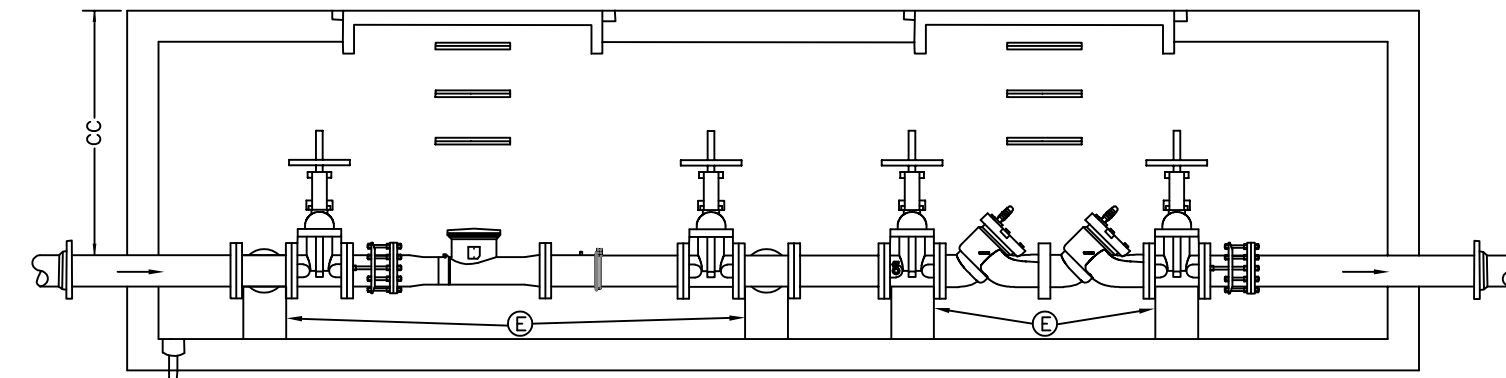
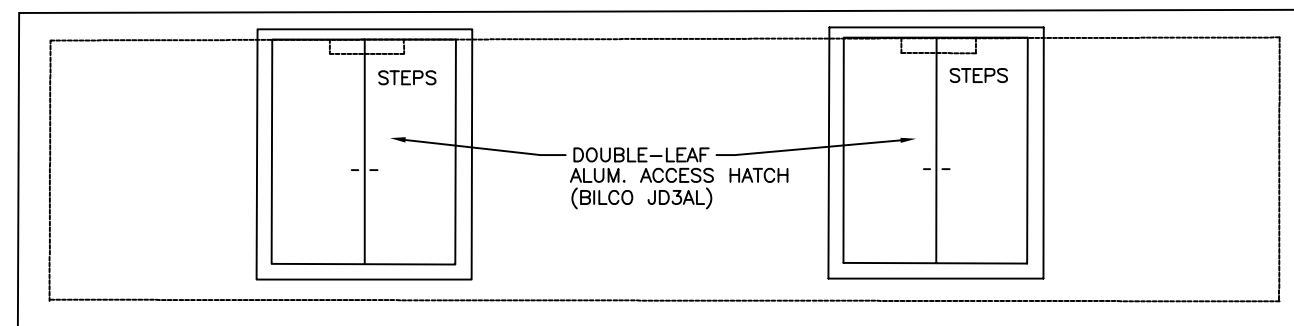


TOP VIEW DETAIL



3" PVC @ 1% MIN.
SLOPE TO DAYLIGHT

SIDE VIEW DETAIL



DOOR DETAIL

PIPING LEGEND:


- A. D.I.P. (FLG. P.E.)
- B. LINK-SEALS NO. 1.2-425-G
- C. STEEL WASHER (COAT W/COAL TAR EPOXY)
- D. 3/8" ALL THREAD S.S. ROD
- E. CONC. PIPE SUPPORT
- F. TEE (PROVIDED BY BPW)
- G. OS&Y FLG. x FLG. W/ HANDWHEEL RESILIENT SEAT GATE VALVE MANUFACTURED BY MUELLER, US PIPE OR AMERICAN FLOW CONTROL (PROVIDED BY BPW)
- H. 4" FLOOR DRAIN
- I. OCTAVE ULTRASONIC WATER METER (PROVIDED BY BPW)
- J. D.I.P. PE x PE (PROVIDED BY BPW)
- K. 90° BEND - FLG. (PROVIDED BY BPW)
- L. DOUBLE CHECK VALVE ASSEMBLY. PER BPW SPECS AND APPROVED BY SCDHEC.
- M. STL PIPE SLEEVES - 6" LONG
- N. BPW/CONTRACTOR RESPONSIBLTY TRANSITION
- O. HYMAX FLANGED COUPLING ADAPTOR WITH 2" THREADED OUTLET MANUFACTURED BY KRAUSZ (PROVIDED BY BPW)
- P. D.I.P. FLG x FLG.
- Q. OS&Y FLG. x FLG W/HANDWHEEL RESILIENT SEAT GATE VALVE MANUFACTURED BY MUELLER, US PIPE OR AMERICAN FLOW CONTROL.
- R. ROMAC DISMANTLING JOINT, STYLE DJ400 OR EQUAL. (PROVIDED BY BPW)
- S. D.I.P. PE x PE (PROVIDED BY BPW)
- T. D.I.P. FLG. x PE. (PROVIDED BY BPW)
- U. EBBA IRON SERIES 2100 MEGAFLANGES (PROVIDED BY BPW)
- V. ROMAC DISMANTLING JOINT, STYLE DJ400 OR EQUAL.

NOTE:

1. CONTRACTOR SHALL BE RESPONSIBLE FOR CLEANING AND PAINTING ALL PIPING, VALVES, FITTINGS ETC.
2. ALL EXPOSED CONC. SURFACES SHALL RECIEVE ON (1) PRIMER AND TWO (2) FINISH COATS OF THOROSEAL.
3. ALL EXPOSED EDGES TO HAVE A 3/4" CHAMFER.
4. SLOPE FLOOR (2' LONGEST DISTANCE) TO DRAIN TO DAYLIGHT
5. AT THE CONTRACTOR'S OPTION TINDALL CAST SC-SERIES MONOLITHIC BASE & RISER MAY BE PROVIDED INSTEAD OF CAST-IN-PLACE VAULT. CONTRACTOR TO PURCHASE AND SET VAULT.
6. UPON PAYMENT OF TAP FEE, THE BPW WILL ORDER LIST OF MATERIALS PROVIDED BY BPW. BPW WILL INSTALL ALL MATERIALS UP TO POINT "N". CONTRACTOR TO INSTALL REMAINING PORTION AND CONTINUE TO SITE PLUMBING.
7. SUBMITTAL REQUIRES STAMPED PRECAST OR CAST IN PLACE ENGINEER DRAWING FOR VAULT.
8. ALL MATERIALS AND EQUIPMENT ARE SUPPLIED BY THE CONTRACTOR UNLESS OTHERWISE INDICATED.

LINE SIZE	AA	BB	CC	DOOR SIZE
4	16'-0"	6'-0"	4'-11"	4'x 4' DBL. DR.
6	17'-6"	6'-0"	4'-11"	4'x 4' " "
8	18'-0"	6'-0"	4'-11"	4'x 4' " "
10	22'-0"	6'-0"	4'-11"	5'x 5' " "
12	22'-0"	6'-0"	4'-11"	5'x 5' " "

MINIMUM INSIDE DEMENSION

DOMESTIC METER VAULT WITH BACKFLOW PREVENTER
 SCALE: N.T.S. DATE: 11-2-2022 DRAWING: SWS
 BOARD OF PUBLIC WORKS
 GAFFNEY, S.C.