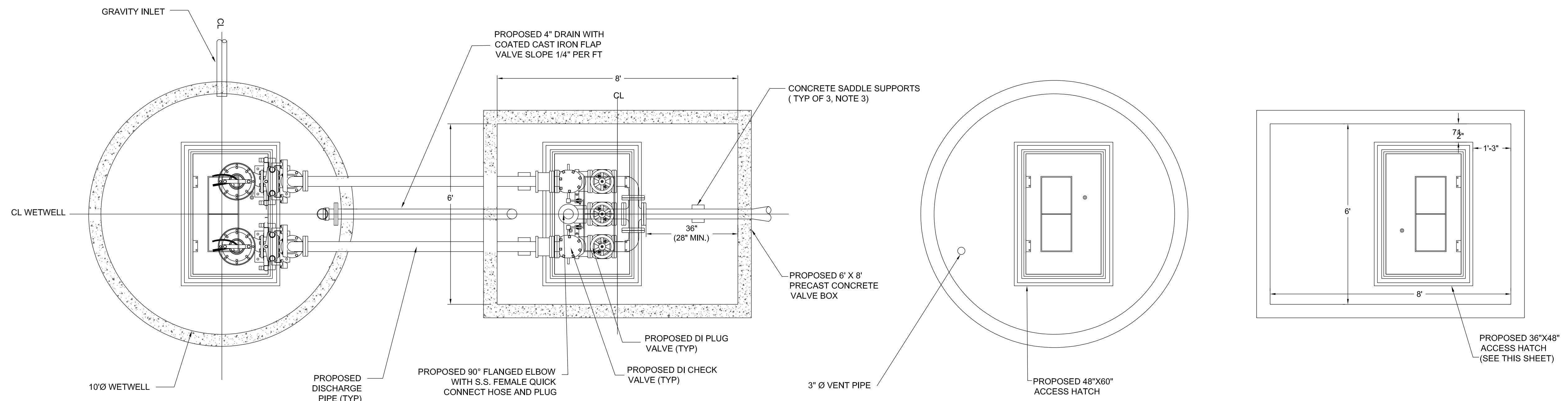


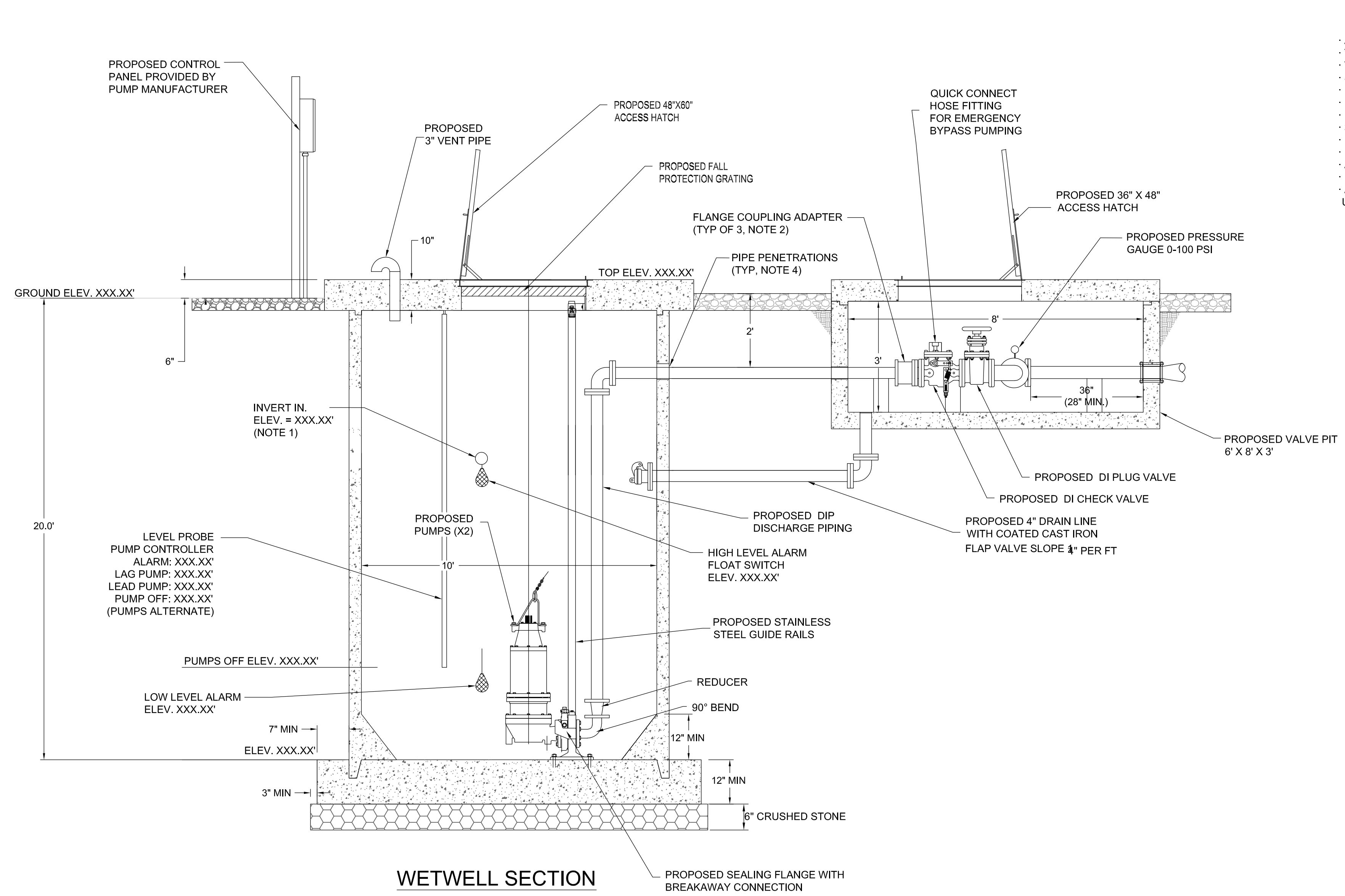
PROJ. #:	DESIG. BY: CCM
DRAWN BY: SWS	DATE: 7/27/2022
DESIG. REV: CC	SCALE: N.T.S.
LEAD ENG: CCM	
CONSULT:	



WETWELL PLAN VIEW

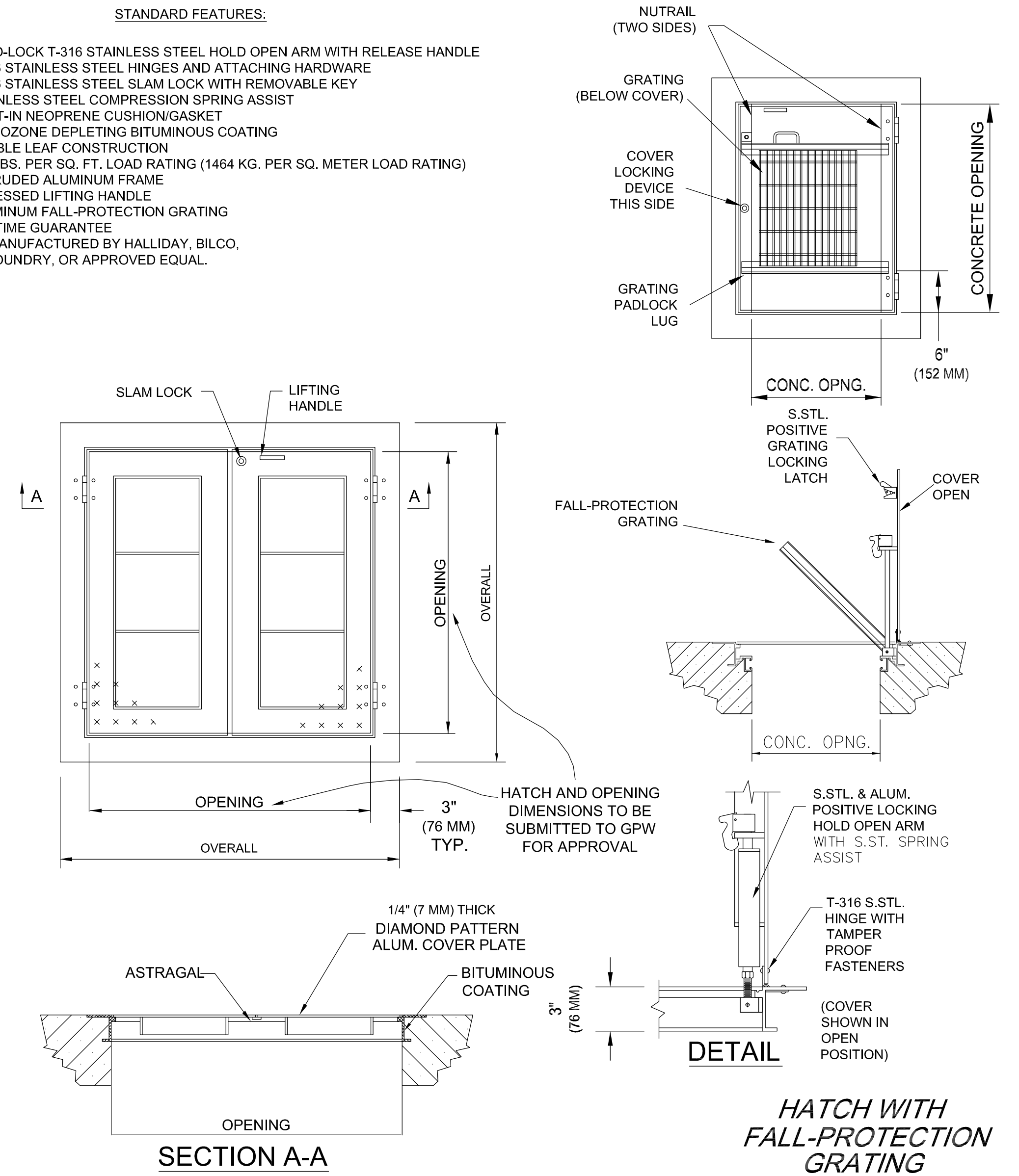
WETWELL COVER PLAN VIEW

VALVE PIT COVER PLAN VIEW



WETWELL SECTION

- STANDARD FEATURES:
- AUTO-LOCK T-316 STAINLESS STEEL HOLD OPEN ARM WITH RELEASE HANDLE
 - T-316 STAINLESS STEEL HINGES AND ATTACHING HARDWARE
 - T-316 STAINLESS STEEL SLAM LOCK WITH REMOVABLE KEY
 - STAINLESS STEEL COMPRESSION SPRING ASSIST
 - BUILT-IN NEOPRENE CUSHION/GASKET
 - NON-OZONE DEPLETING BITUMINOUS COATING
 - DOUBLE LEAF CONSTRUCTION
 - 300 LBS. PER SQ. FT. LOAD RATING (1464 KG. PER SQ. METER LOAD RATING)
 - EXTRUDED ALUMINUM FRAME
 - RECESSED LIFTING HANDLE
 - ALUMINUM FALL-PROTECTION GRATING
 - LIFETIME GUARANTEE
 - AS MANUFACTURED BY HALLIDAY, BILCO, US FOUNDRY, OR APPROVED EQUAL.

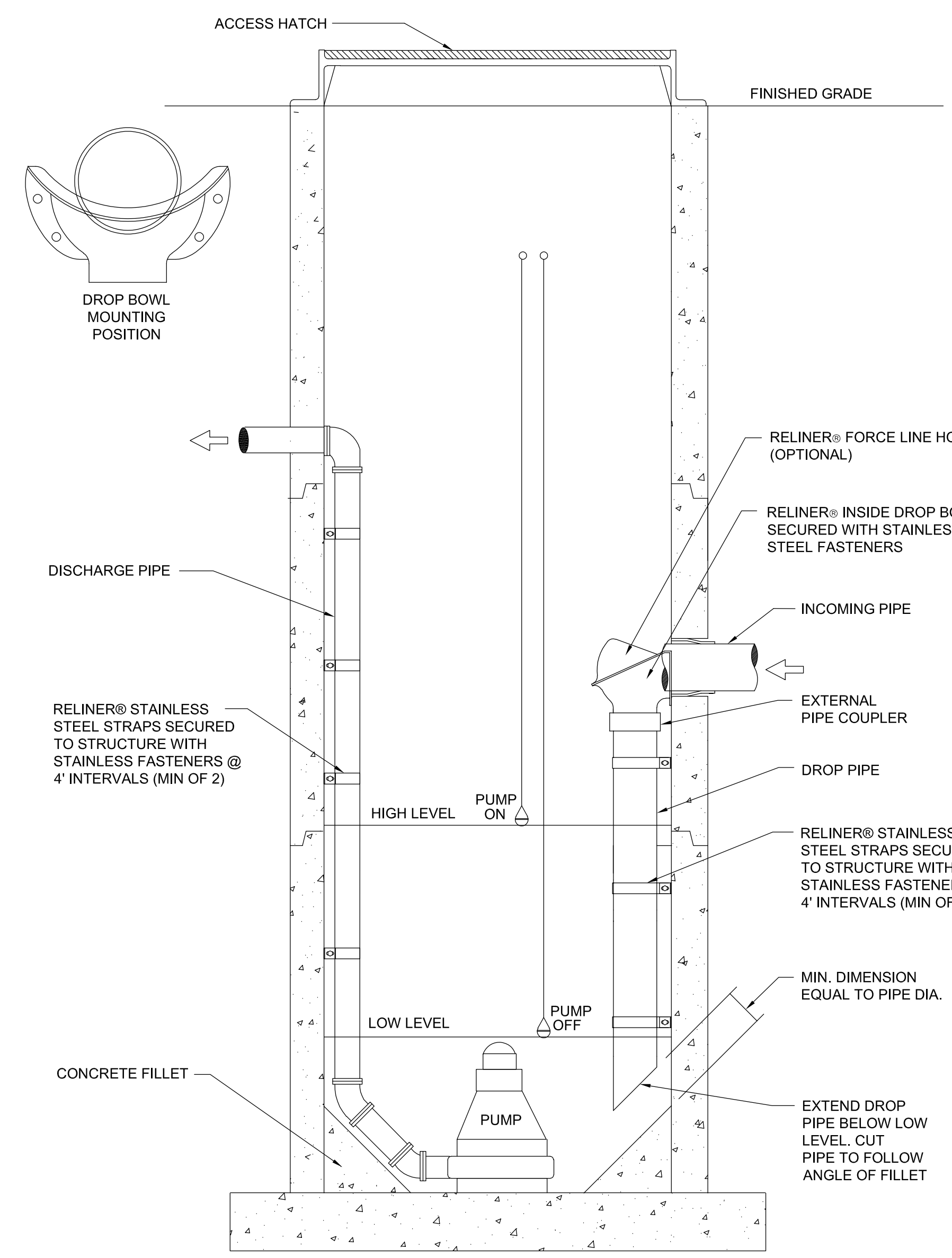


SECTION A-A

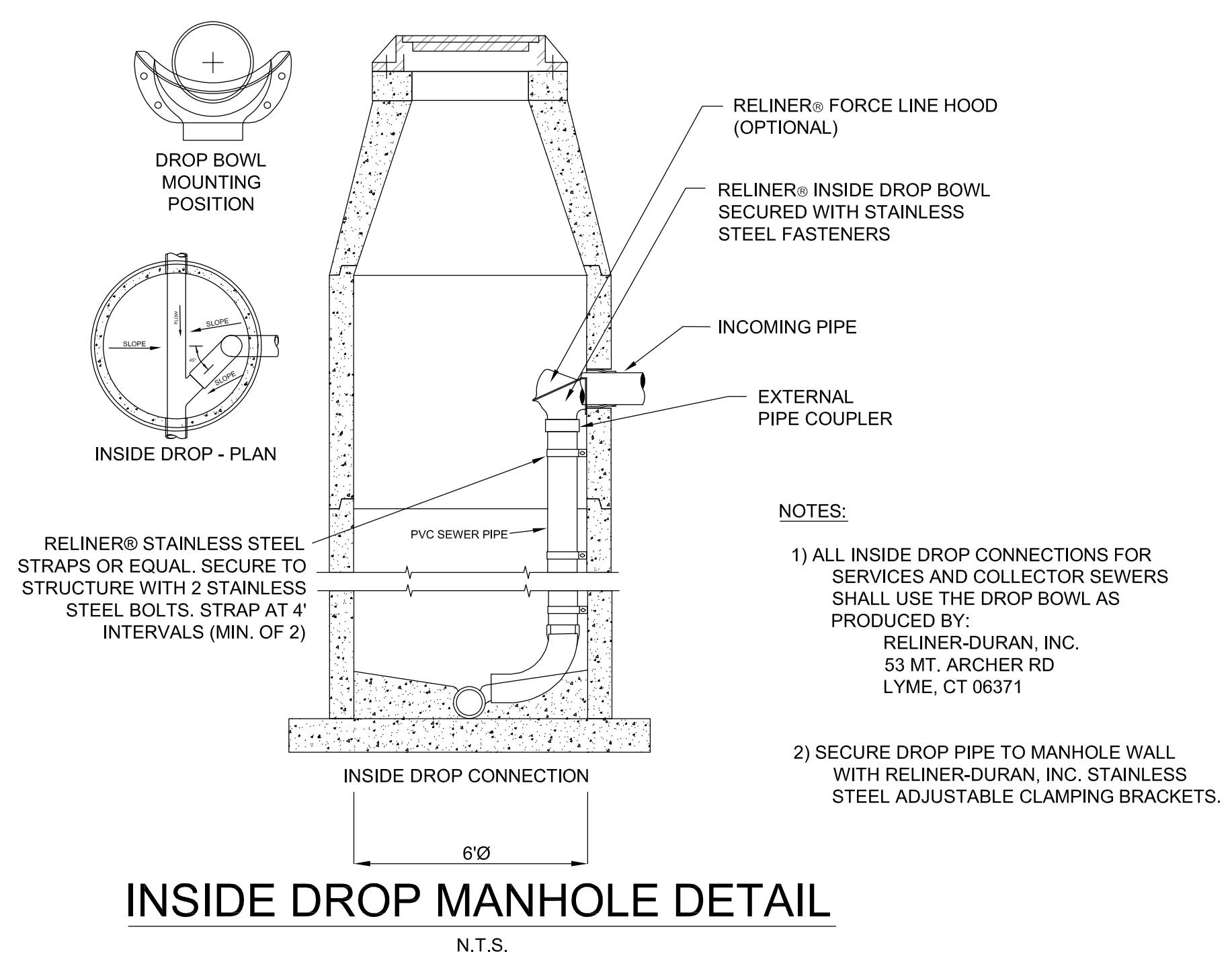
HATCH WITH FALL-PROTECTION GRATING

- NOTES:
1. PROVIDE A RELINER DROP BOWL BY DURAN, INC., MODEL B8DBR144 WITH FORCE LINE HOOD.
 2. PROVIDE THREE 8" ROMAC RESTRAINED FLANGE COUPLING ADAPTERS ON UPSTREAM SIDE OF BOTH CHECK VALVES AND PLUG VALVE ON BYPASS LINE.
 3. PROVIDE THREE CONCRETE SADDLE SUPPORTS WITH STAINLESS STEEL STRAPS.
 4. WETWELL AND VAULT PIPE PENETRATION CONNECTIONS MUST BE SUBMITTED AND APPROVED BY GAFFNEY BOARD OF PUBLIC WORKS.
 5. LEVEL PROBE SHALL BE PROVIDED BY FLYGHT WITH DESIGNATION NUMBER 3.0/10-10FS AND PART NUMBER 83 77 81 OR APPROVED EQUAL BY THE OWNER.

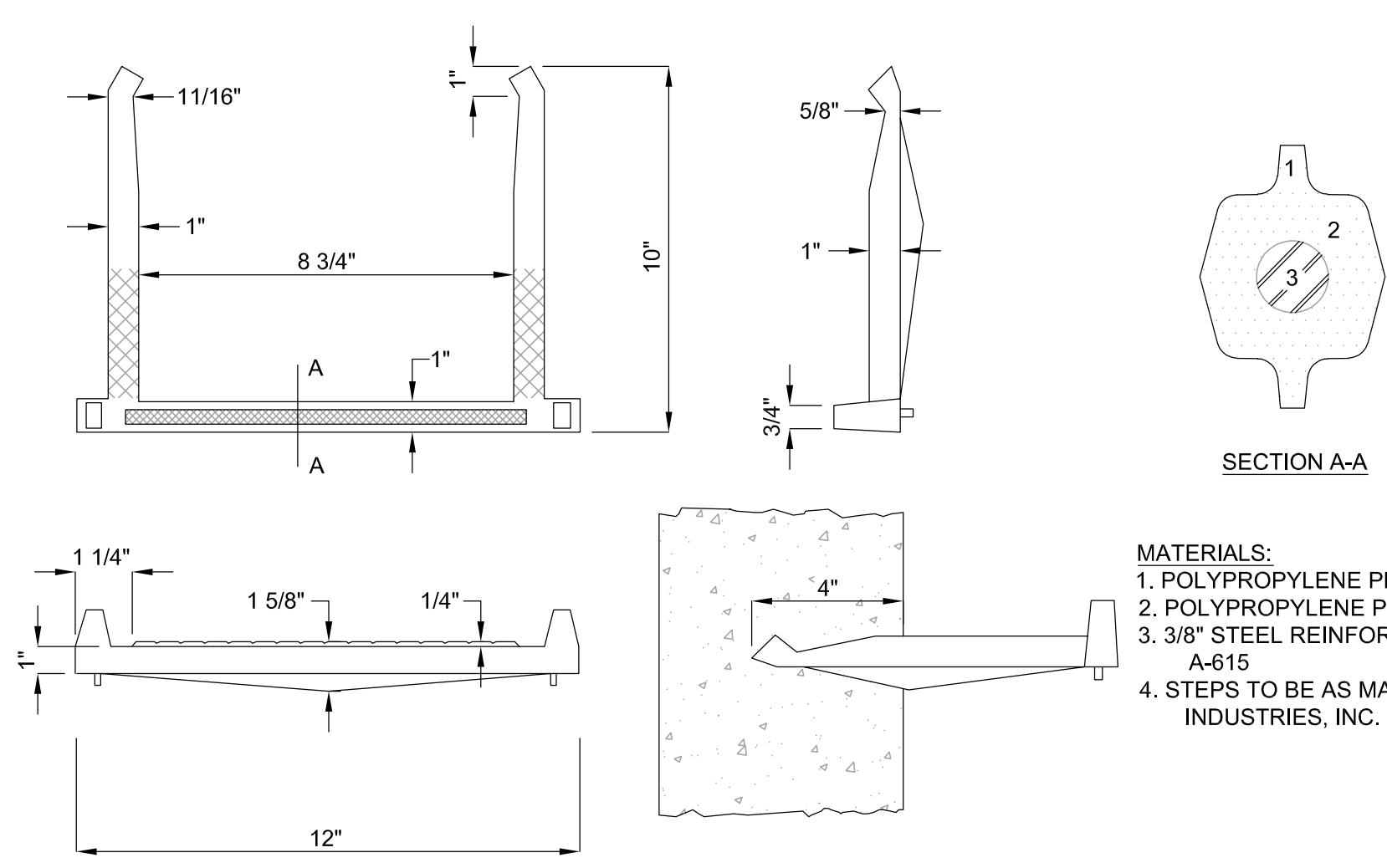
PROJ. #:	DESIGN BY: CCM
CADD BY: SWS	DESIGN REV: CC
LEAD ENG: CCM	CONSULT:
SCALE:	N.T.S.



WETWELL INSIDE DROP DETAIL

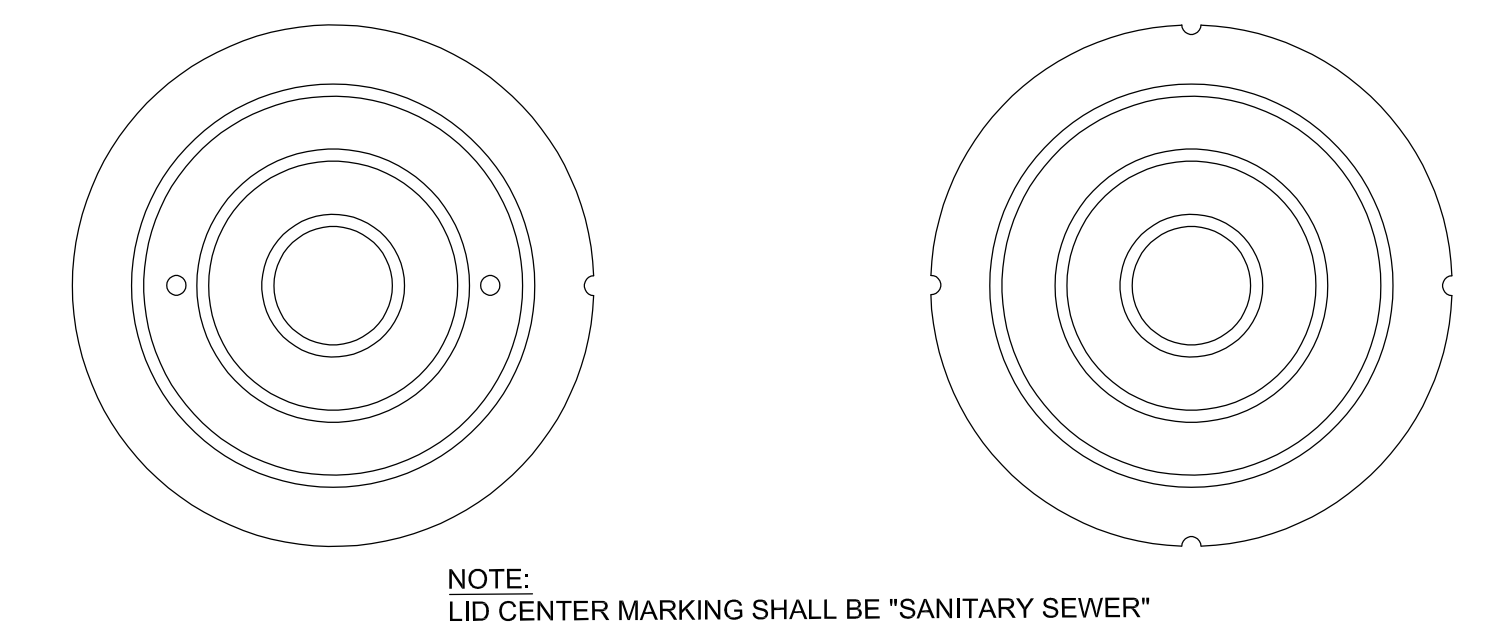


INSIDE DROP MANHOLE DETAIL



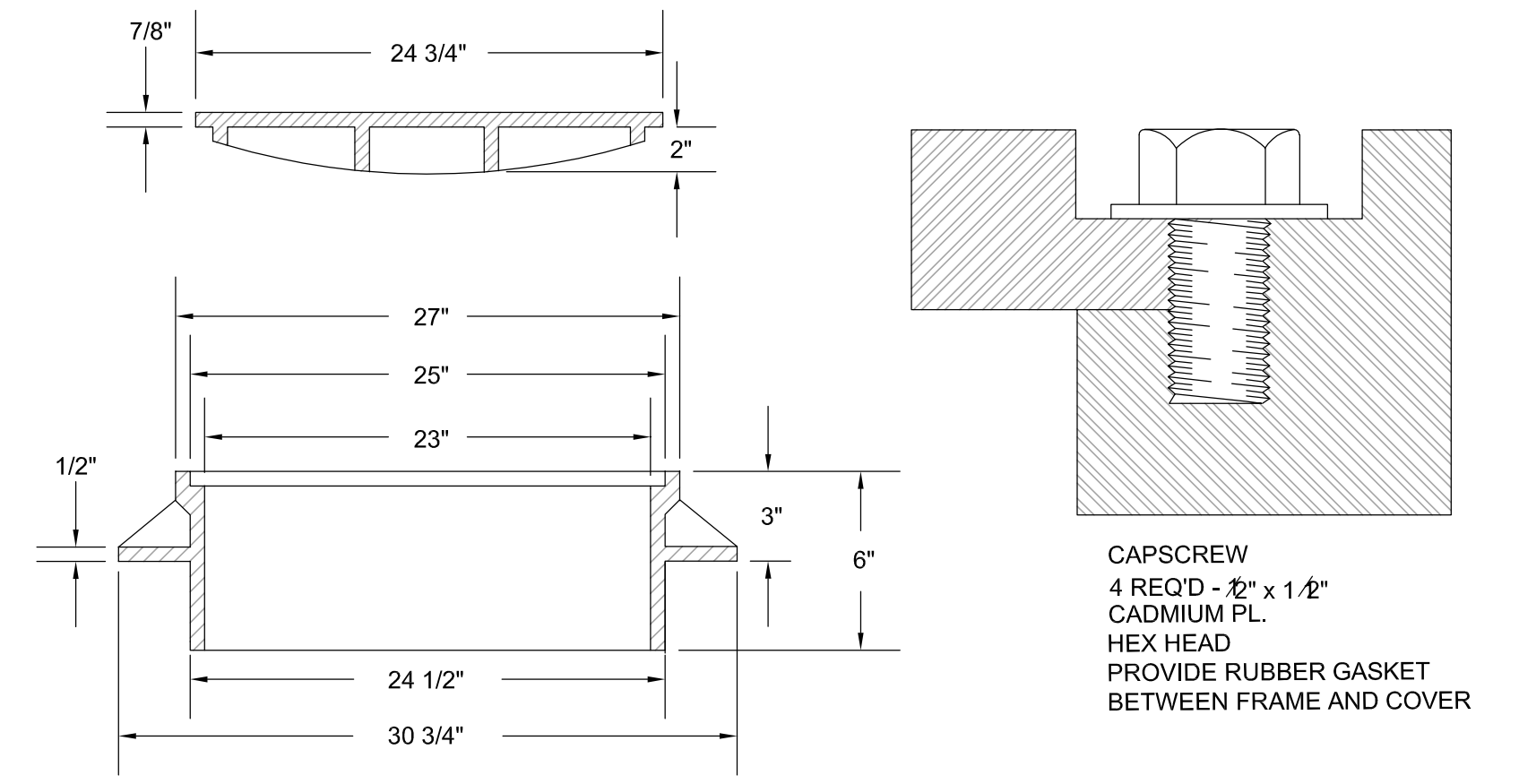
MANHOLE STEP - REINFORCED PLASTIC DETAIL

- MATERIALS:
1. POLYPROPYLENE PLASTIC SOLID OUTER SHELL
2. POLYPROPYLENE PLASTIC POROUS MASS
3. 3/8" STEEL REINFORCING ROD GRADE 60, ASTM A-615
4. STEPS TO BE AS MANUFACTURED BY M.A. INDUSTRIES, INC.

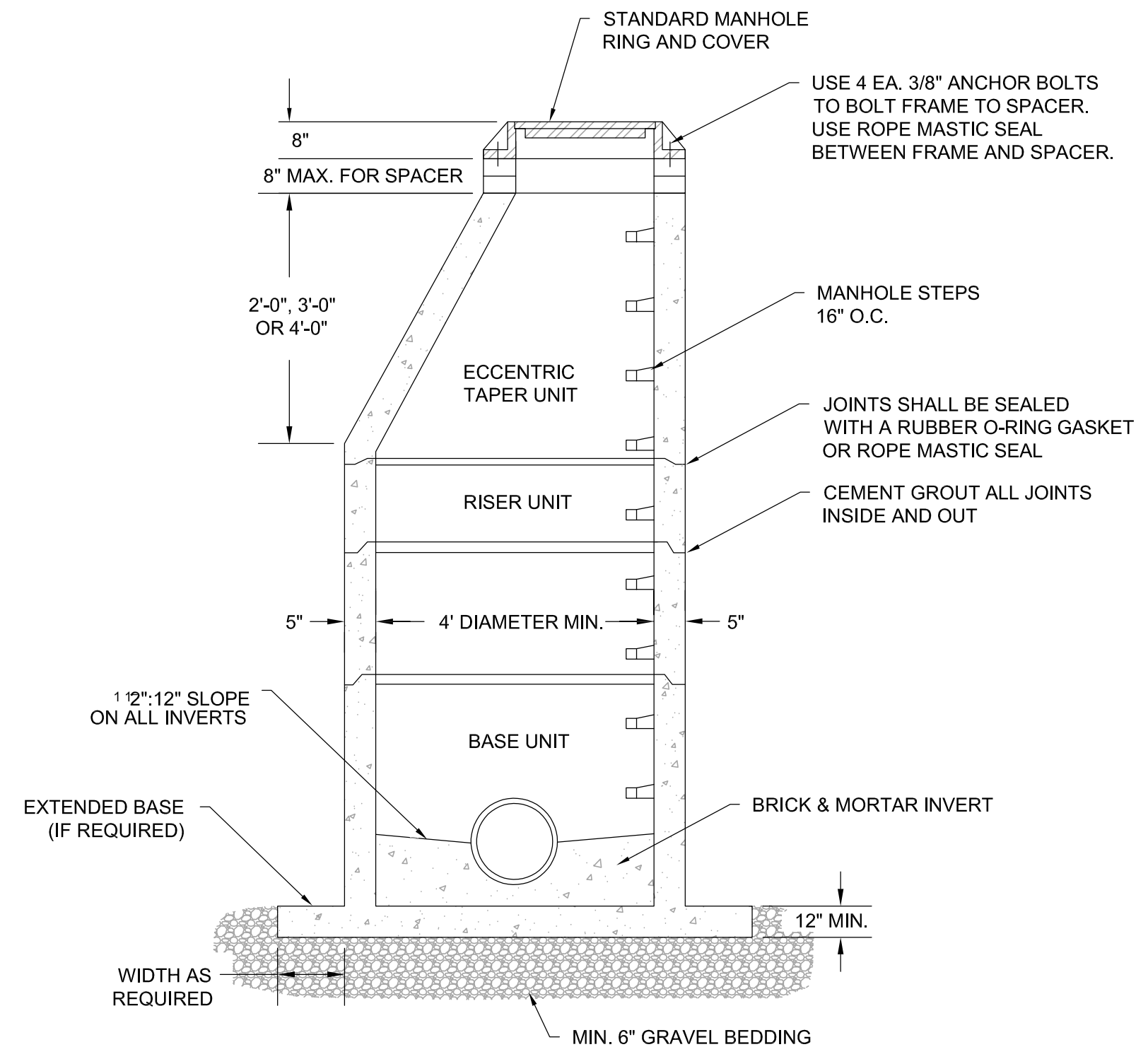


STANDARD COVER WATERTIGHT COVER

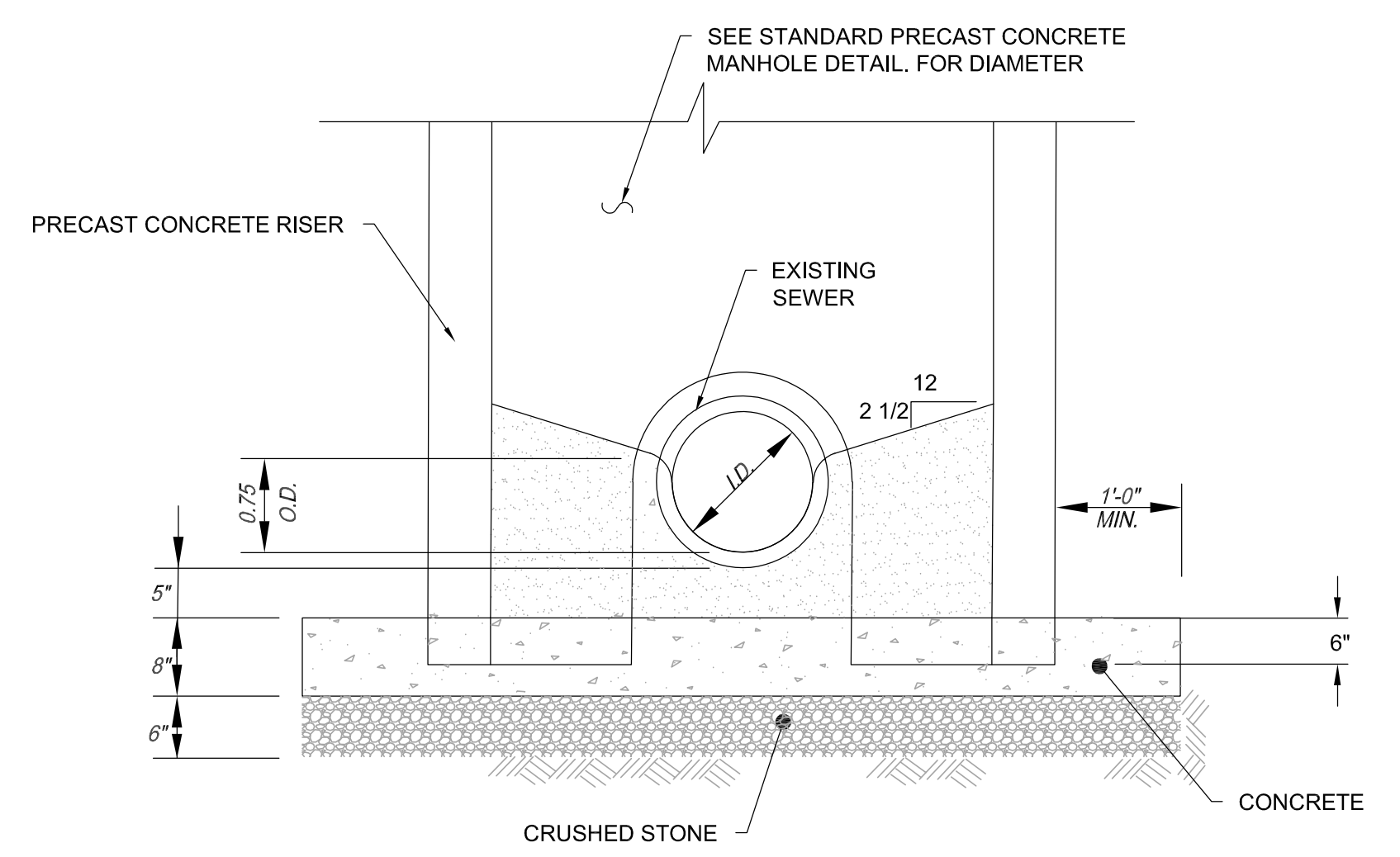
PLAN VIEW



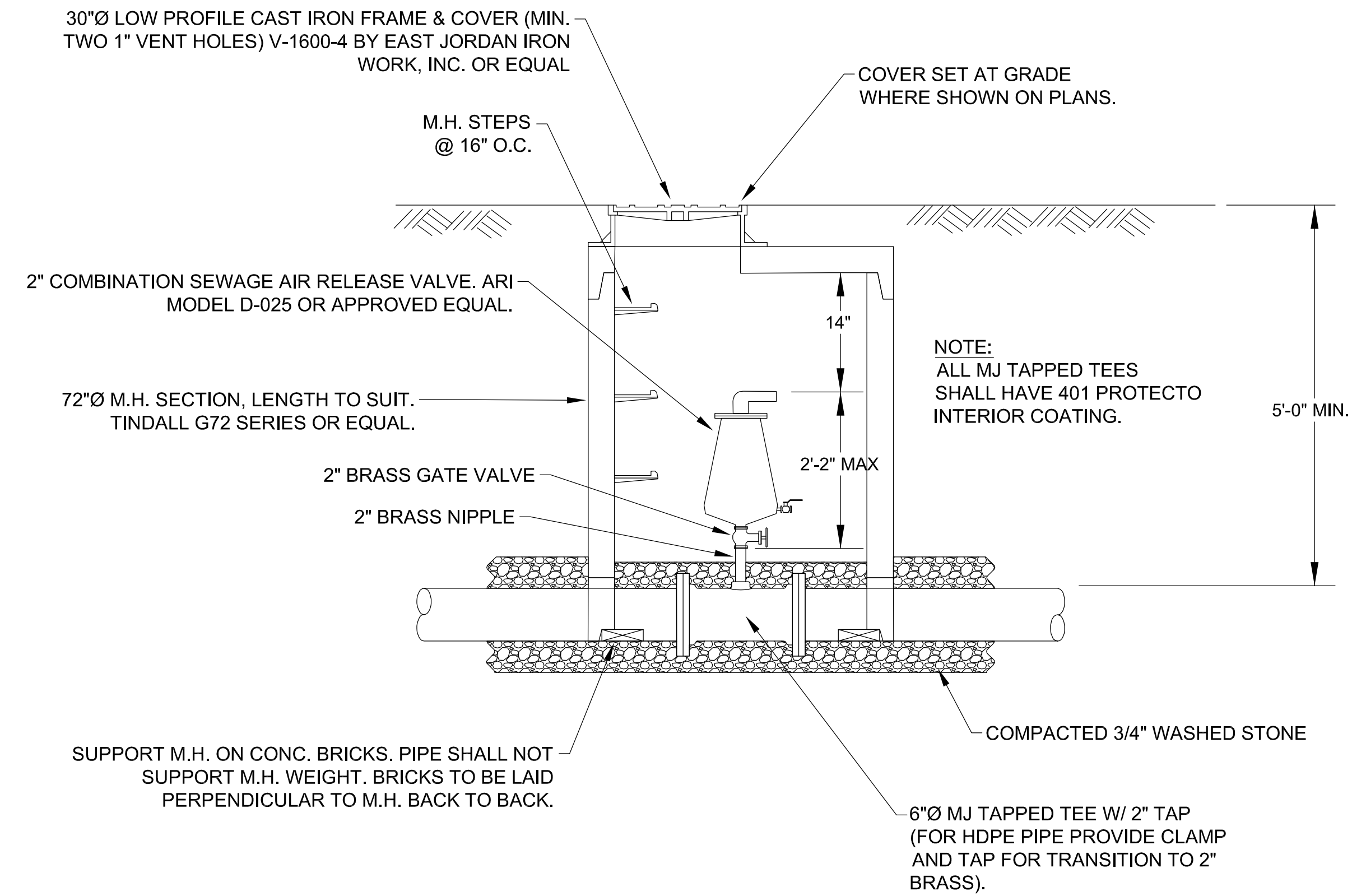
FRAME AND COVER SECTION WATERTIGHT FRAME AND COVER DETAIL



MANHOLE - STANDARD PRECAST CONCRETE DETAIL

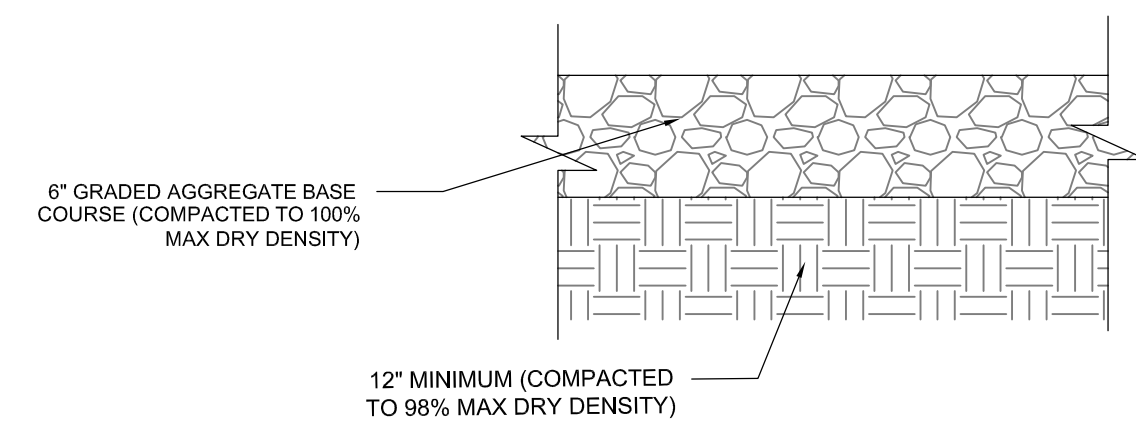


PRECAST DOGHOUSE MANHOLE OVER EXISTING SEWER DETAIL



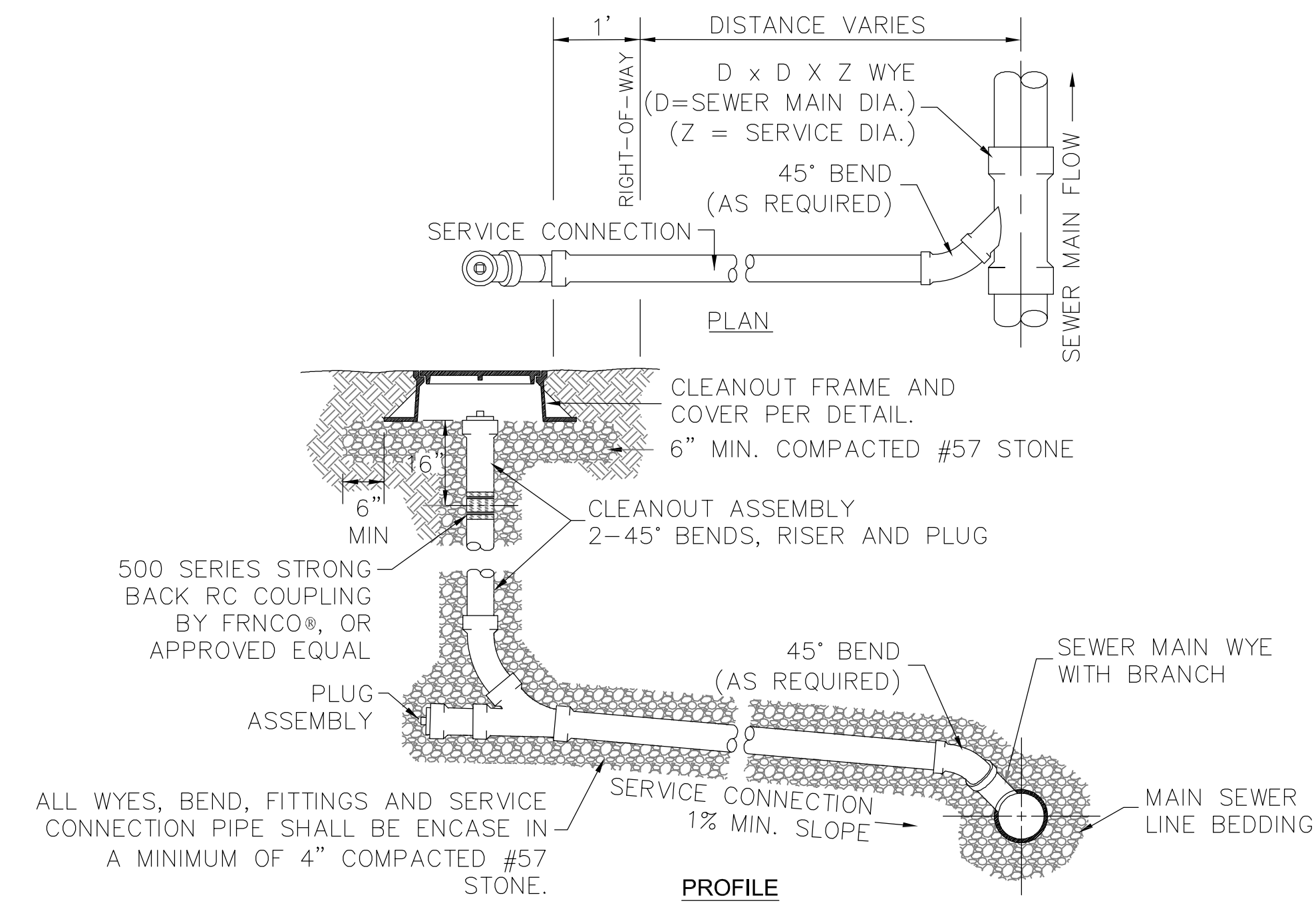
AIR RELEASE VALVE DETAIL

N.T.S.



GRAVEL DRIVE

(NOT TO SCALE)



NOTE:

1. SERVICE CONNECTION DETAIL IS FOR THE INSTALLATION OF A NEW SERVICE CONNECTION STUB OUT AS PART OF A NEW MAIN SEWER LINE INSTALLATION. CONNECTIONS TO EXISTING SEWER LINES OR CONNECTION OF THE BUILDING DRAIN TO THE SERVICE CONNECTION STUB OUT, SHALL BE INSTALLED PER THE INTERNATIONAL PLUMBING CODE (IPC) OR INTERNATIONAL RESIDENTIAL CODE (IRC) AS APPROPRIATE.
2. WHEN THE BUILDING SEWER IS EXTENDED FROM THE STUB OUT TO THE BUILDING DRAIN, THE BUILDING SEWER AND ITS APPURTENANCES SHALL BE PERMITTED THROUGH AND INSPECTED BY THE CITY/COUNTY BUILDING CODES DIVISION.
3. WITHOUT PRIOR KNOWLEDGE OF THE VARIABLES REQUIRED TO SIZE THE SERVICE CONNECTION PER THE IPC OR IRC, THE MINIMUM DIAMETER OF THE SERVICE CONNECTION STUB OUT SHALL BE MINIMUM FOUR (4) INCH DIA. FOR SINGLE FAMILY RESIDENTIAL AND MINIMUM SIX (6) INCH DIA. FOR COMMERCIAL AND MULTIFAMILY DEVELOPMENT.
4. MINIMUM SLOPE OF THE SERVICE LATERAL IS 1.0% OR 1/8" PER FOOT.
5. THE SERVICE CONNECTION STUB OUT AND ITS APPURTENANCES SHALL BE OF THE SAME MATERIAL AS THE MAIN SEWER LINE.
6. SERVICE CONNECTION SHALL BE MADE WITH ONE (1) WYE FITTING. THE LONG BRANCH OF THE WYE SHALL HAVE THE SAME INSIDE DIAMETER AS THE WASTEWATER MAIN. TEE FITTINGS ARE NOT PERMITTED.
7. THE WYE FITTING SHALL BE SET BETWEEN THE 10 AND 2 O'CLOCK POSITIONS ALONG THE MAIN SEWER LINE PIPE CIRCUMFERENCE.
8. NO BENDS GREATER THAN 45° SHALL BE USED IN SERVICE CONNECTION INSTALLATION.
9. SERVICE CONNECTIONS SHALL BE A MINIMUM OF THREE (3) FEET FROM PIPE JOINT OR MANHOLE, MEASURED FROM THE NEAREST EDGE OF THE WYE FITTING.
10. CONNECTIONS SHALL BE POSITIONED ALONG THE MAIN SEWER LINE TO PROVIDE AN INDIVIDUAL, SEPARATE AND DIRECT CONNECTION FROM THE STRUCTURE TO THE WASTEWATER MAIN. CONNECTIONS SHALL NOT CROSS ADJACENT LOT PROPERTY LINES.
11. A SERVICE CONNECTION CLEANOUT SHALL BE INSTALLED ONE (1) FOOT FROM THE RIGHT-OF-WAY LINE OR EASEMENT BOUNDARY WITH A CLEANOUT FRAME AND COVER PER DETAIL.
12. SERVICE CONNECTION SHALL BE PLUGGED TO PREVENT INFILTRATION AND SEDIMENTATION OF THE LINE.
13. SERVICE CONNECTIONS SHALL NOT BE CONNECTED TO A NEWLY CONSTRUCTED MAIN SEWER LINE UNTIL A PERMIT TO OPERATE (PTO) HAS BEEN OFFICIALLY ISSUED BY SCDHEC. CONTACT CITY/COUNTY WITH ANY QUESTIONS.

SANITARY SEWER SERVICE CONNECTION

N.T.S.

PROJ. #:	DESIG. BY: CCM
CADD BY: SWS	DESIG. REV: CC
LEAD ENG: CCM	CONST:
SCALE: N.T.S.	