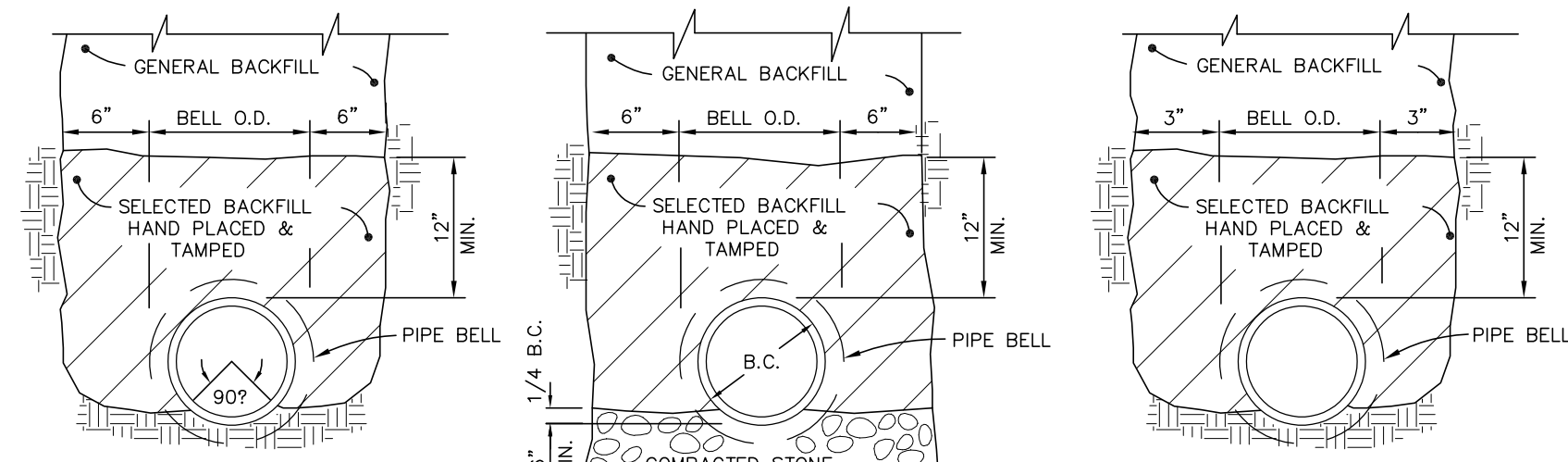


PROJ. #:	
DESIG. BY:	CCM
CADD BY:	SS
DESIG. REV:	CCM
LEAD ENG:	CC
CONSR:	
SCALE:	N.T.S.

WATER NOTES:

- CONNECTIONS 4" AND LARGER:
CONTRACTOR IS RESPONSIBLE FOR PURCHASING AND INSTALLING DOMESTIC AND/OR FIRE METER VAULT. THE VAULT SHALL BE INSTALLED AT THE EDGE OF THE RIGHT OF WAY OR PROPERTY LINE. DOMESTIC AND/OR FIRE METER VAULT DETAILS CAN BE PROVIDED UPON REQUEST.
THE GAFFNEY BPW IS RESPONSIBLE FOR MAKING THE TAP ON THE WATER MAIN AND RUNNING THE SERVICE TO A SPECIFIED POINT INSIDE THE METER VAULT. THE DIVISION OF RESPONSIBILITY CHANGES TO THE CONTRACTOR AT THIS LOCATION (SPECIFIED ON THE VAULT DETAILS). CONTRACTOR SHALL CONTINUE THE SITE PLUMBING TO THE BUILDING.
CONTRACTOR SHALL PROVIDE AND INSTALL APPROVED BACKFLOW DEVICE. CONTRACTOR SHALL TEST BACKFLOW DEVICES AT THEIR OWN EXPENSE AND APPROVED FOR OPERATION BY THE BPW.
- CONNECTIONS 2" AND SMALLER:
THE GAFFNEY BPW IS RESPONSIBLE FOR MAKING THE TAP ON THE WATER MAIN AND RUNNING THE SERVICE TO THE METER BOX AND INSTALLING THE METER AND METER BOX.
CONTRACTOR SHALL CONTINUE THE SITE PLUMBING TO THE BUILDING.
- CONTRACTOR IS RESPONSIBLE FOR ALL ASPHALTING REQUIREMENTS NECESSARY TO COMPLETE THE WORK.



NOTE: FOR USE WITH TRENCH EXCAVATED BY BACKHOE. HAND SHAPED BOTTOM - SHAPE BELL HOLES FOR USE IN DRY EARTH TRENCHES ONLY.

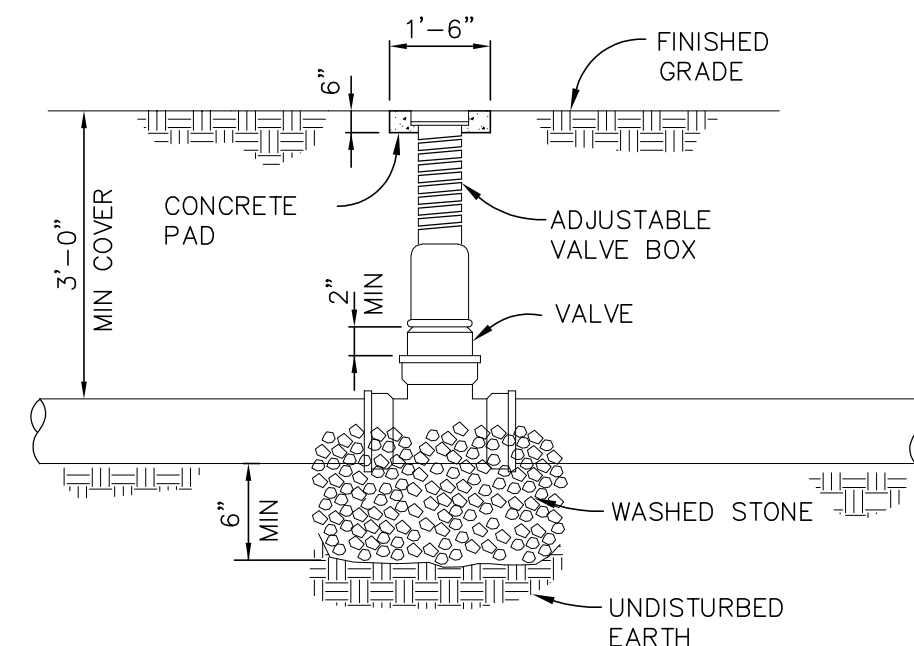
NOTE: FOR USE W/ TRENCH EXCAVATED BY BACKHOE IN UNSTABLE SOIL, ROCK AND GROUNDWATER CONDITIONS. APPLICABLE TO BOTH EARTH AND ROCK TRENCHES.

NOTE: FOR USE WITH TRENCHING MACHINE. USE IN DRY EARTH TRENCHES ONLY.

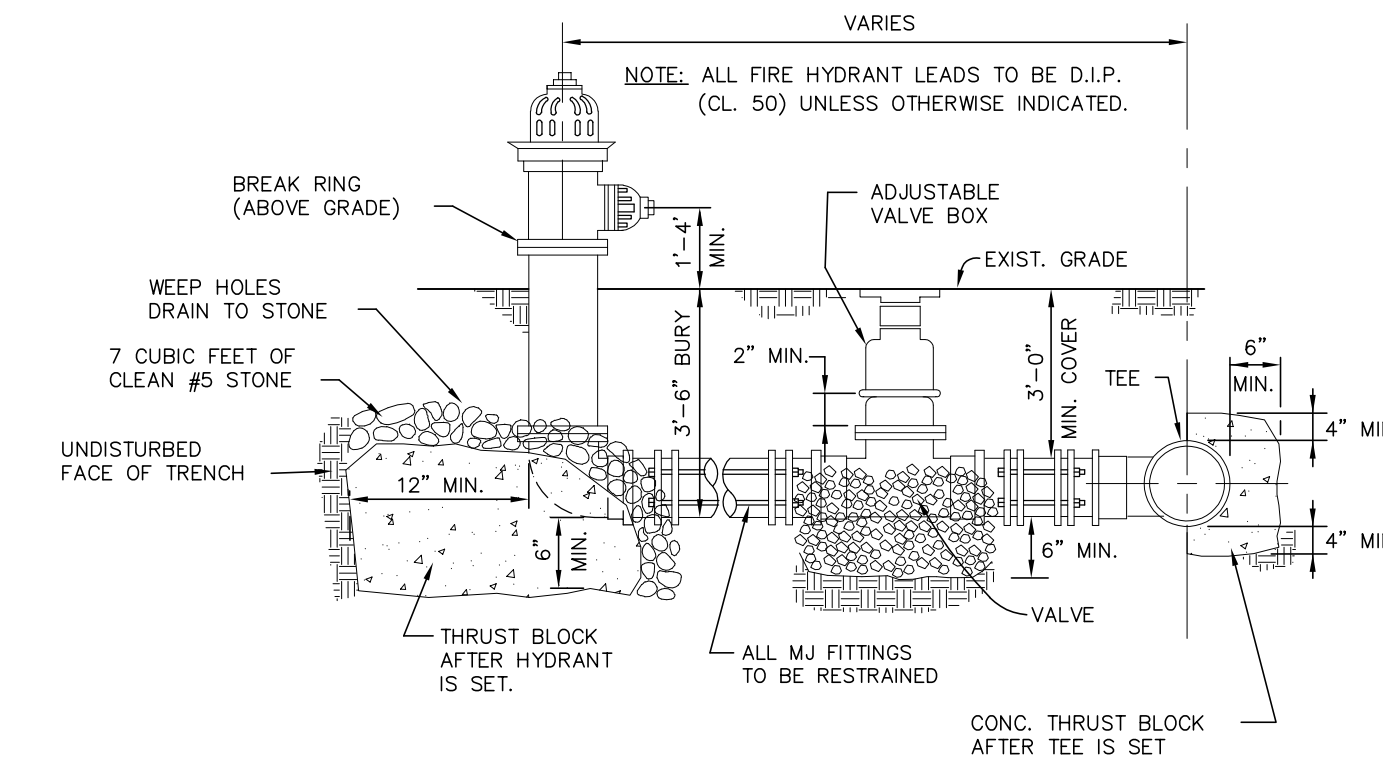
CLASS "C" BEDDING
NOT TO SCALE

CLASS "C" ALTERNATE

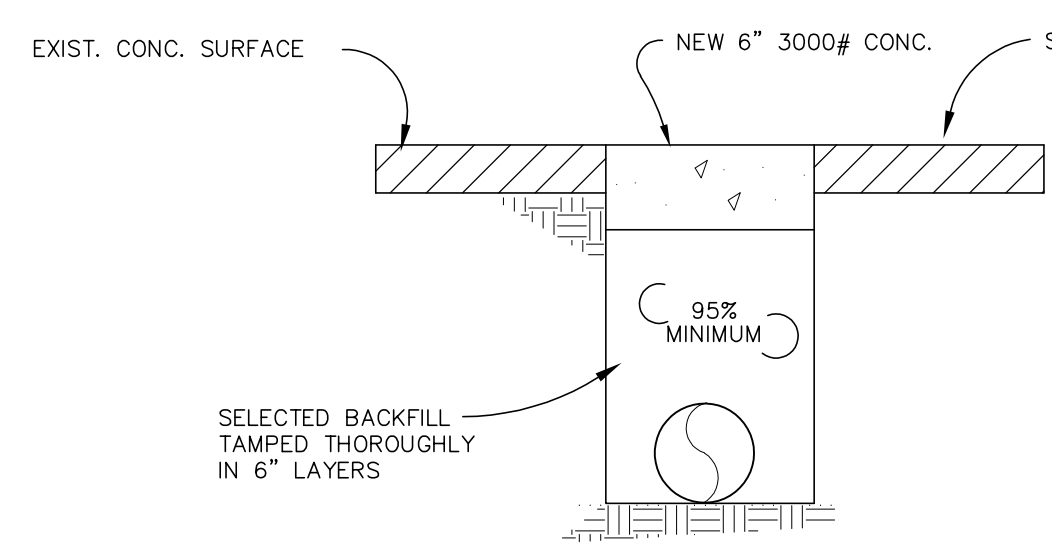
CLASS "D" BEDDING
NOT TO SCALE



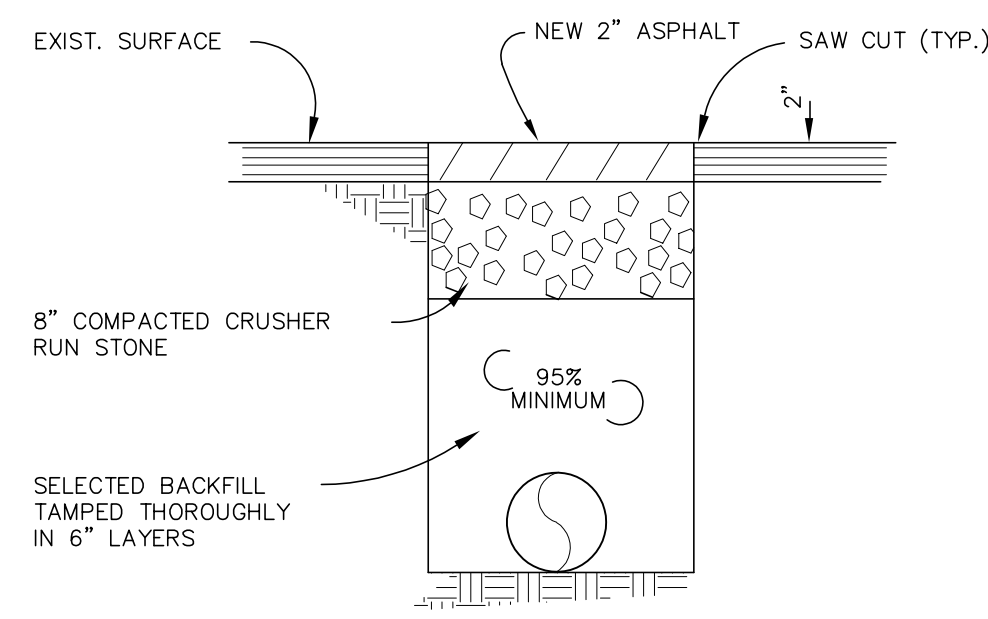
DETAIL FOR SETTING GATE VALVE
NOT TO SCALE



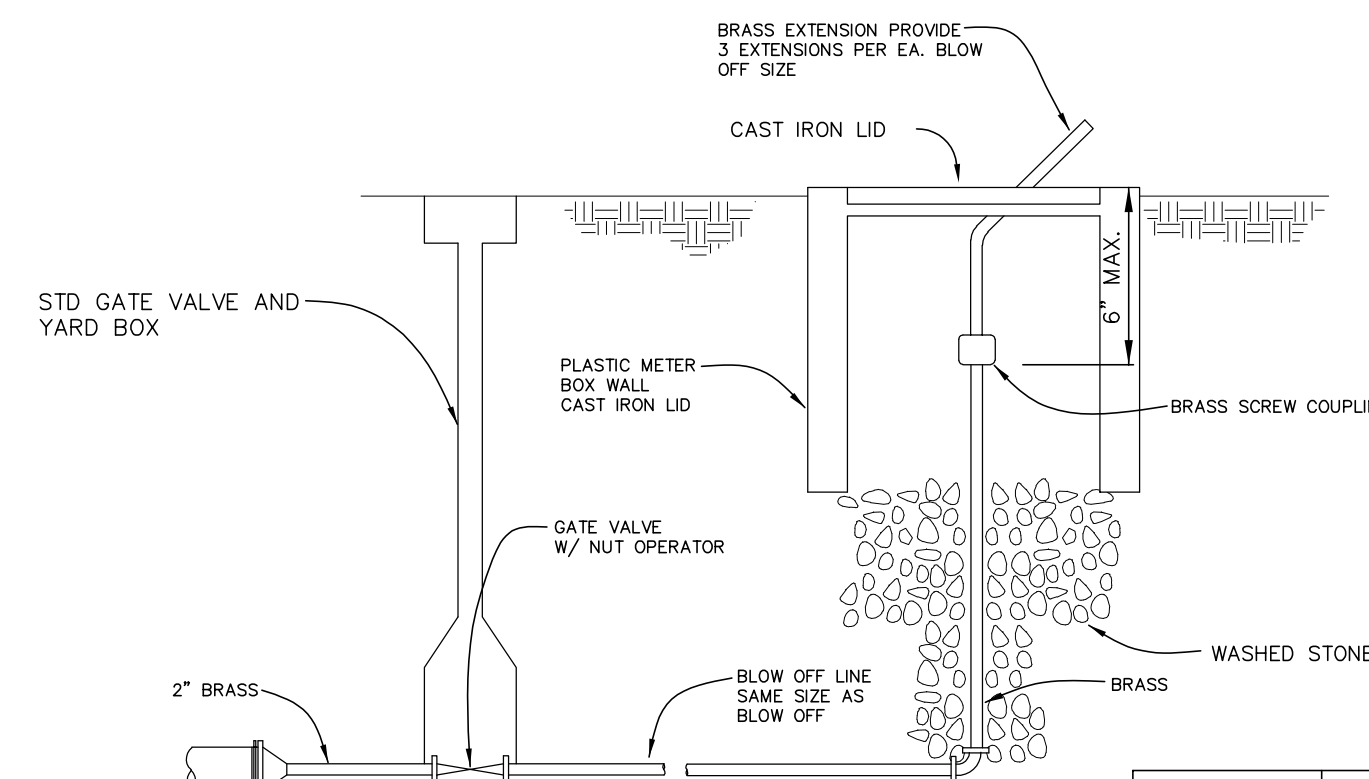
FIRE HYDRANT, VALVE & TEE SETTING
NOT TO SCALE



CONCRETE DRIVEWAY REPLACEMENT DETAIL
NOT TO SCALE

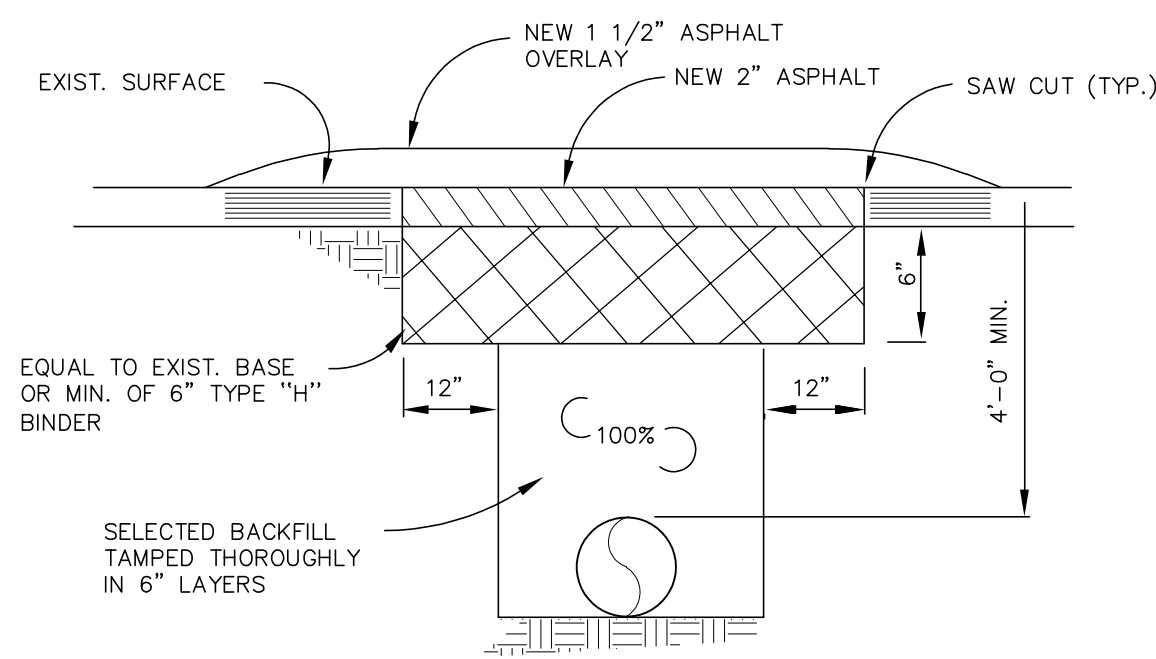


ASPHALT DRIVEWAY REPLACEMENT DETAIL
NOT TO SCALE

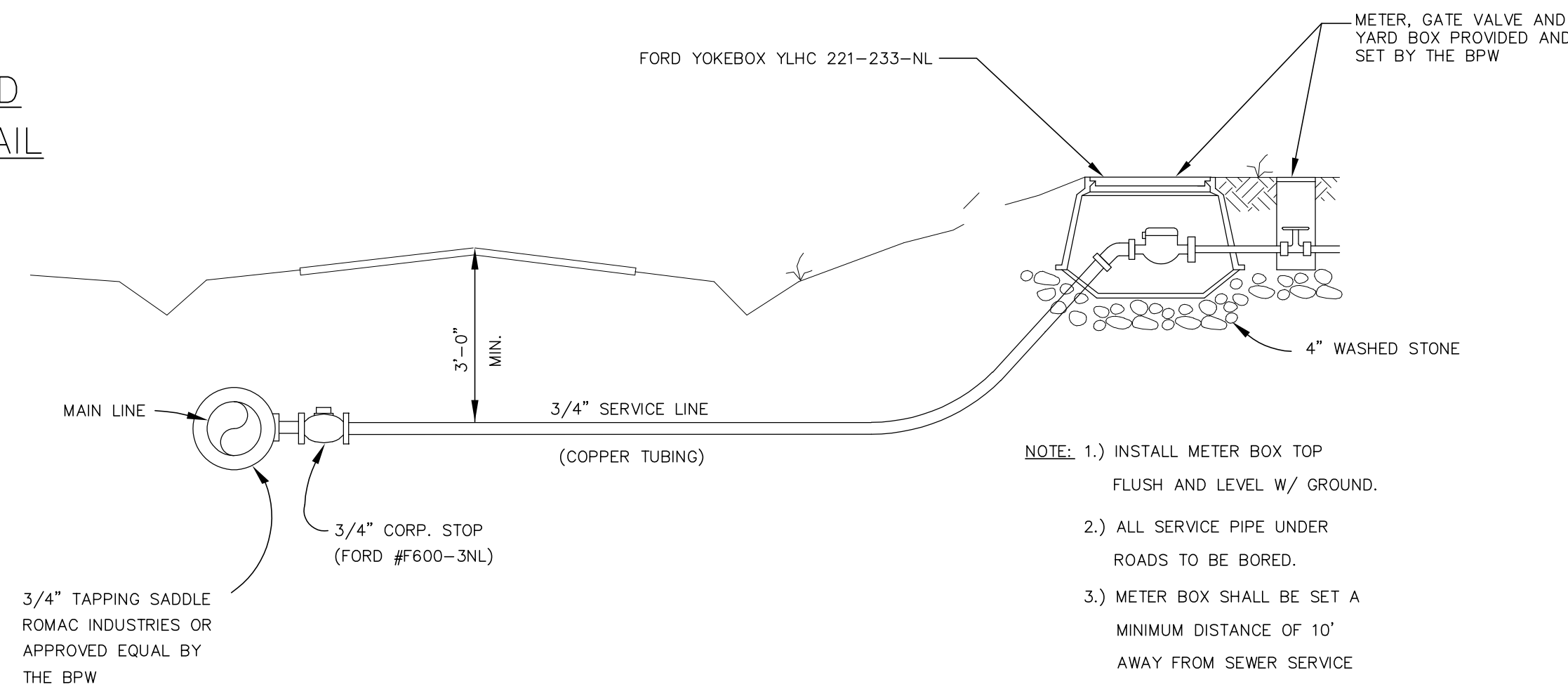


MAIN LINE SIZE	BLOW-OFF SIZE
2"	2"
2 1/2"	2"
3"	2"
4"	2"
6"	2"
8"	2 1/2"

BLOW-OFF DETAIL
NOT TO SCALE



PRIMARY & SECONDARY ROAD PAVEMENT REPLACEMENT DETAIL
NOT TO SCALE



- NOTE: 1.) INSTALL METER BOX TOP FLUSH AND LEVEL W/ GROUND.
2.) ALL SERVICE PIPE UNDER ROADS TO BE BORED.
3.) METER BOX SHALL BE SET A MINIMUM DISTANCE OF 10' AWAY FROM SEWER SERVICE CLEANOUT UNLESS OTHERWISE APPROVED BY THE BPW

TYPICAL 3/4" SERVICE CONNECTION DETAIL
NOT TO SCALE